



TR:PLER
THE NEWEST
EMBOSSING
SOLUTION

Tissue Converting Solutions

Embosser TRIPLER 7.0



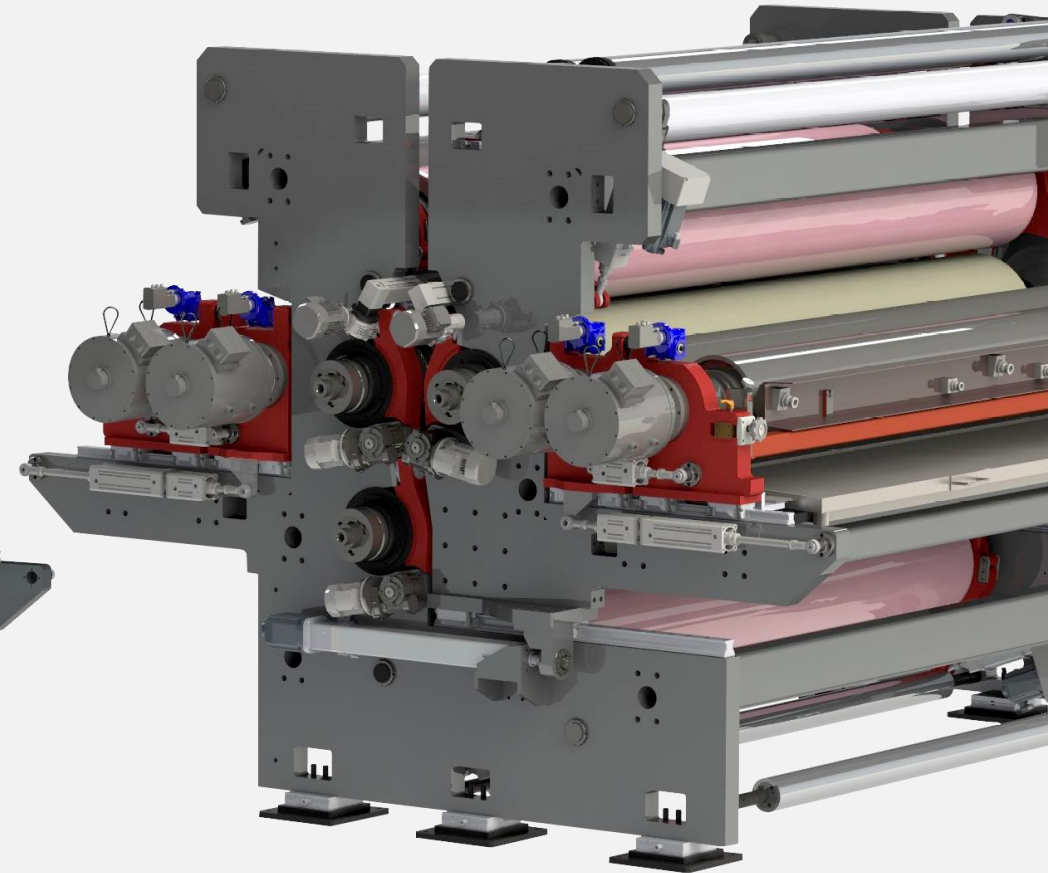
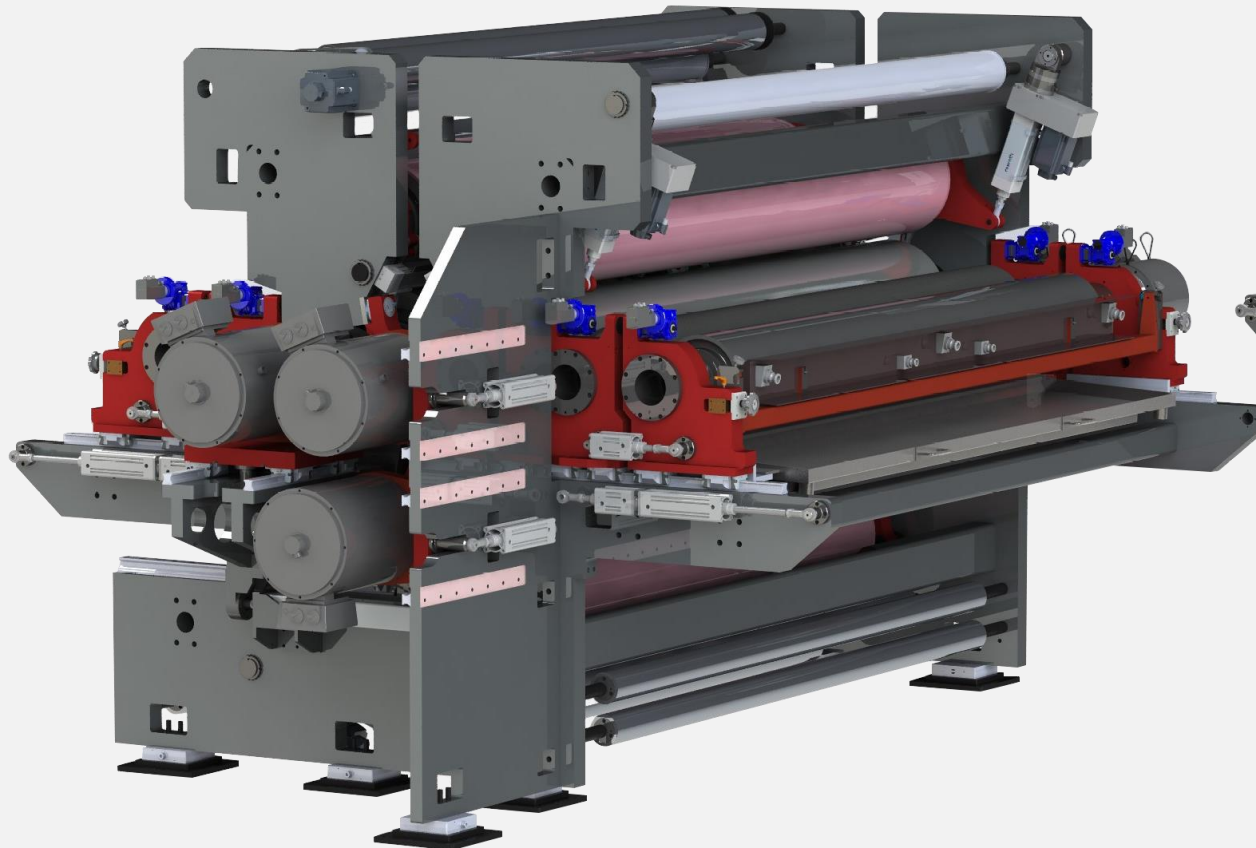
EMBOSSER TRIPLER 7.0

3 steel rolls working together

TRIPLER
THE NEWEST
EMBOSSING
SOLUTION

GiOTTO
TECHNOLOGIES

NEW SOLUTION: Higher Capliner due to third ply



EMBOSSER TRIPLER 7.0

TECHNICAL CHARACTERISTICS

TRIPLER
THE NEWEST
EMBOSSING
SOLUTION



Paper Width Min-max	2750-3650 mm
Production speed DESL/DERL	Up to 700 m/min *
Production speed Tip to Tip conf.	Up to 550 m/min *
Steel rolls diameter	515 mm
Rubber Rolls diameter	450 mm
Marring roll diameter	525 mm
Cliché roll diameter	350 mm
Ceramic roll diameter	320 mm
Steel rolls motorization	Torque Motor
Marring roll motorization	Torque Motor
Clichè roll motorization	Torque Motor
Anilox roll motorization	Torque Motor
Max. rubber roll pressure	45 kg/ linear cm
Glue distribution system	Doctor blade
Doctor Blade	Metal and /or composite fibres
Doctor Chamber	Carbon fibres
Embosser Configuration	DERL-DESL-(TIP to TIP)

Glue deck	On guides
Side frames thickness	80 mm
Air consumption	16 m ³ /h at 6 bar
Steel rolls Tools Less changeover	Included
Automatic Steel Rolls changeover	Optional
Tip to Tip Kit	Optional
Second glue unit	Optional
Installed power	160 Kw

MAIN FEATURES

WORKING SPEED	700 m/min
STEEL ROLLS DIAMETER	515 mm
RUBBER EMBOSSING ROLLS DIAMETER	450 mm
MARRING ROLL DIAMETER	525 mm
CLICHE' ROLL DIAMETER	350 mm
ANILOX ROLL DIAMETER	320 mm
POWER CONSUMPTION AT 600 m/min	71 kW



EMBOSSER **TRIPLER 7.0**

HIGH EFFICIENCY UNIT THANK TO OUR TORQUE MOTOR TECHNOLOGY

TRIPLER
THE NEWEST
EMBOSSING
SOLUTION

GiOTTO
TECHNOLOGIES

Automatic steel rolls change with up to n° 6 rolls storage into the line
Upper steel roll replacement without paper breaking
Steel Rolls driven by independent Torque Motors with regenerative drive
Marring Roll driven by independent Torque Motors with regenerative drive
Anilox roll driven by independent Torque Motors with regenerative drive
Cliché roll driven by independent Torque Motors with regenerative drive
Automatic web thread with belts
On the fly HMI nip embossing regulation
Web break detectors
Pressure rubber rolls and Marring rolls approach by servo actuators
Lamination unit with pneumatic approach
Upper steel rolls cleaning system with brush, oil and air
Marring rolls cleaning system with brush, oil and air
Adjustable speed draw station by independent servo motor
Spreader idle rolls before embossing stations (total 3)
Easy steel rolls extraction
Steel rolls replacement kit (lifting bar and lifting hooks)
Marring rolls covered with polyurethane (it reduces the glue contamination)



EMBOSSER **TRIPLER 7.0**

TRIPLER
THE NEWEST
EMBOSSING
SOLUTION

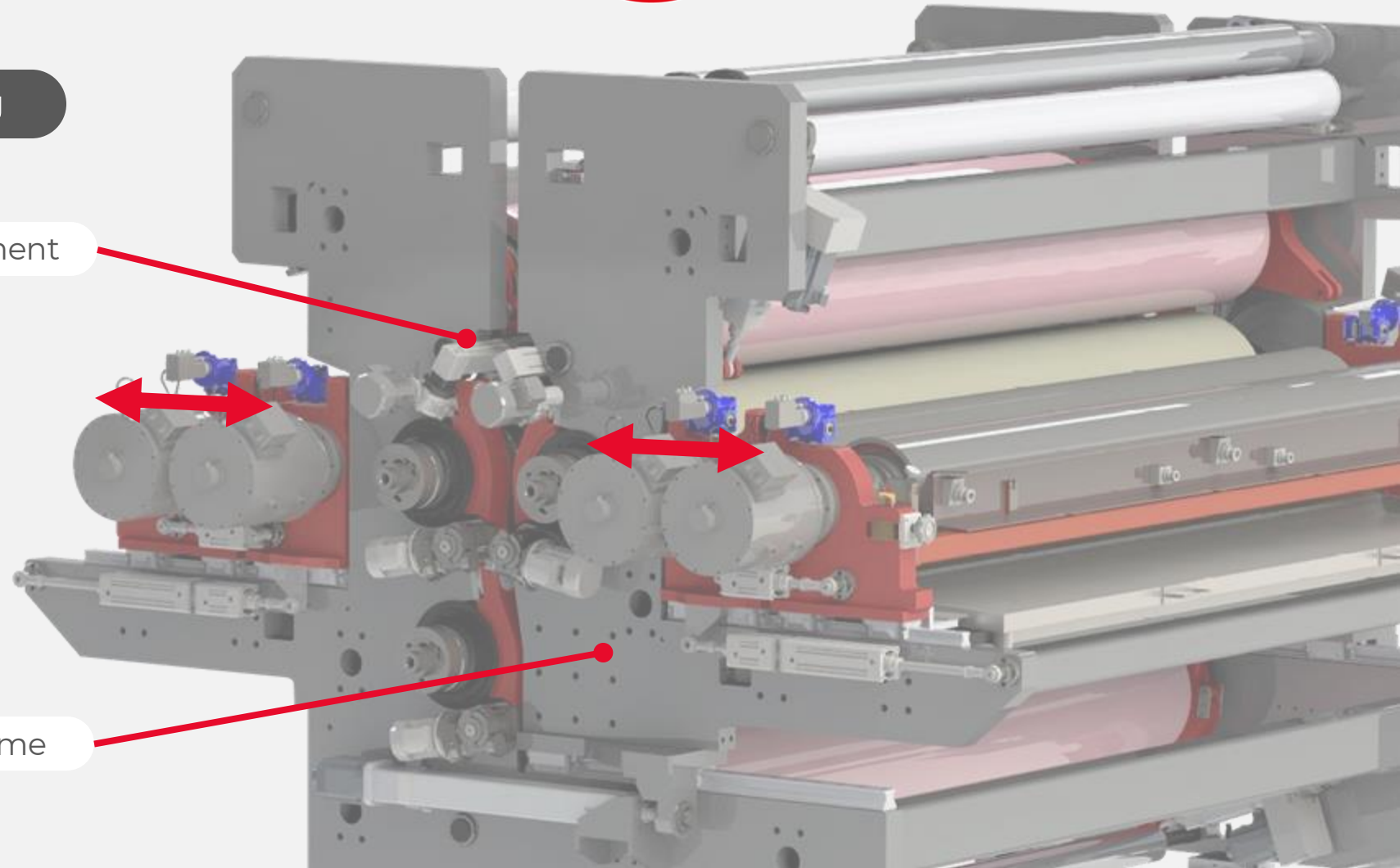


Load cells for paper tension monitoring

Glue Unit with linear movement

Automatic paper trade up

Tip to Tip Unit on sliding frame



EMBOSSER TRIPLER 7.0

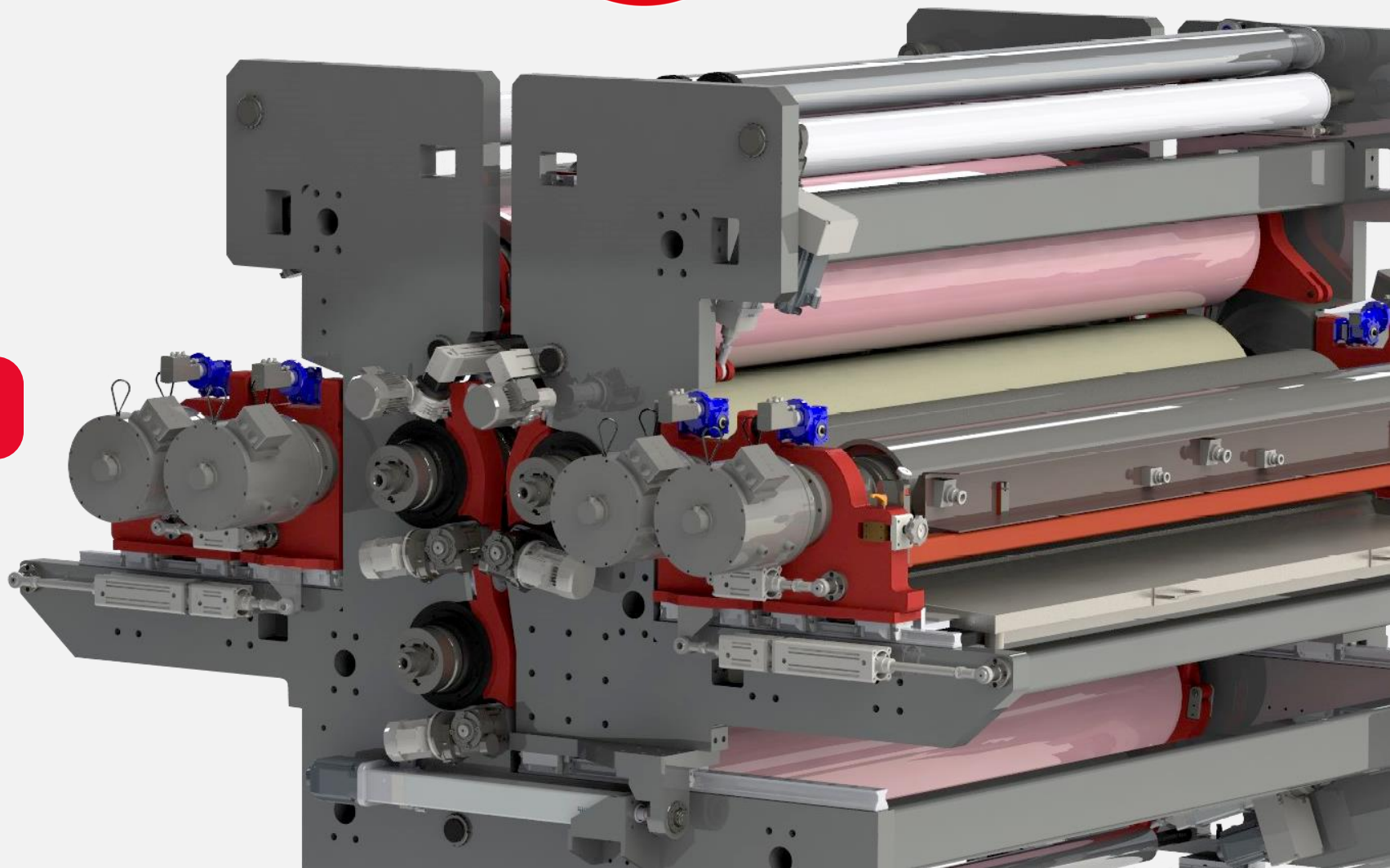
TRIPLER
THE NEWEST
EMBOSSING
SOLUTION

GiOTTO
TECHNOLOGIES

Lamination Unit

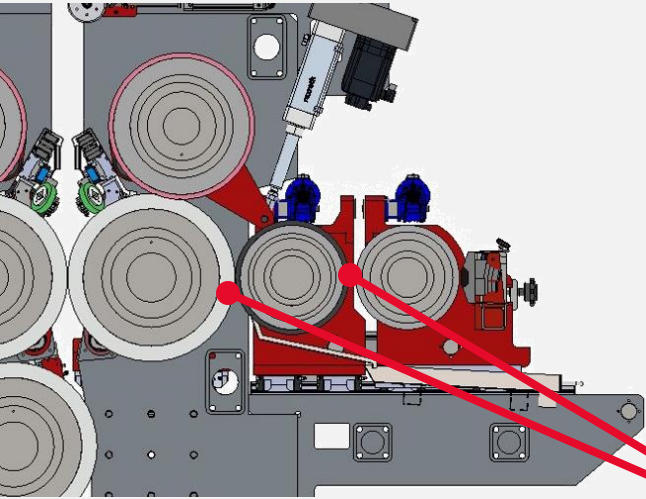
Torque independent motor
mounted directly on cliché
and anilox roll

Higher Efficiency, Higher speed range
and control (fit for water lamination)

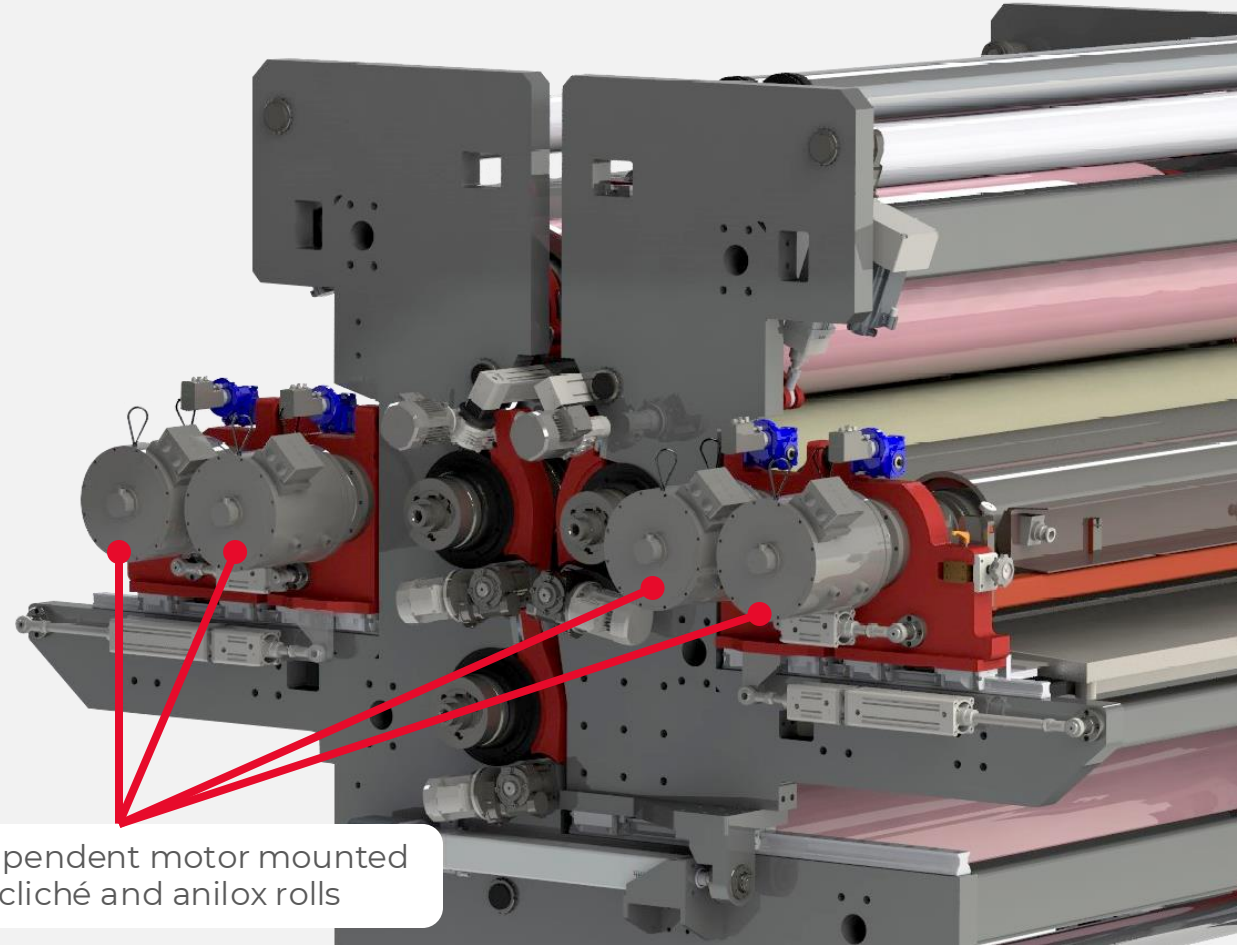
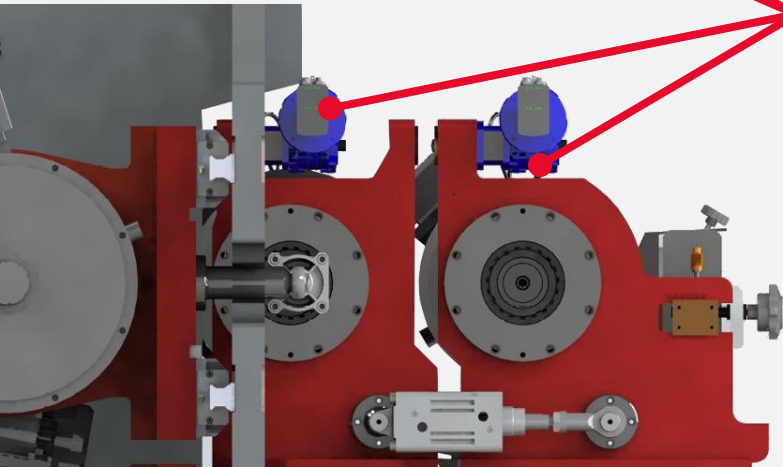


EMBOSSER TRIPLER 7.0

TRIPLER
THE NEWEST
EMBOSSING
SOLUTION



Glue rolls gap adjustable
by touch panel



Torque independent motor mounted
directly on cliché and anilox rolls



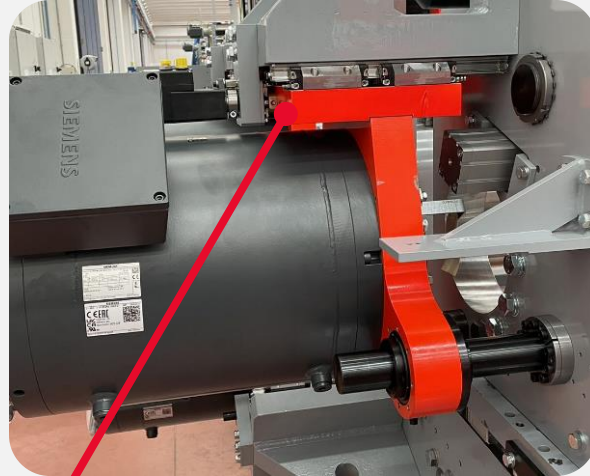
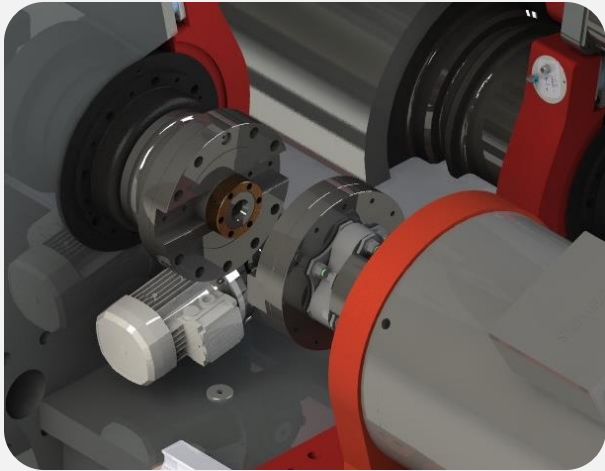
EMBOSSER TRIPLER 7.0

ENERGY SAVING Torque Motors

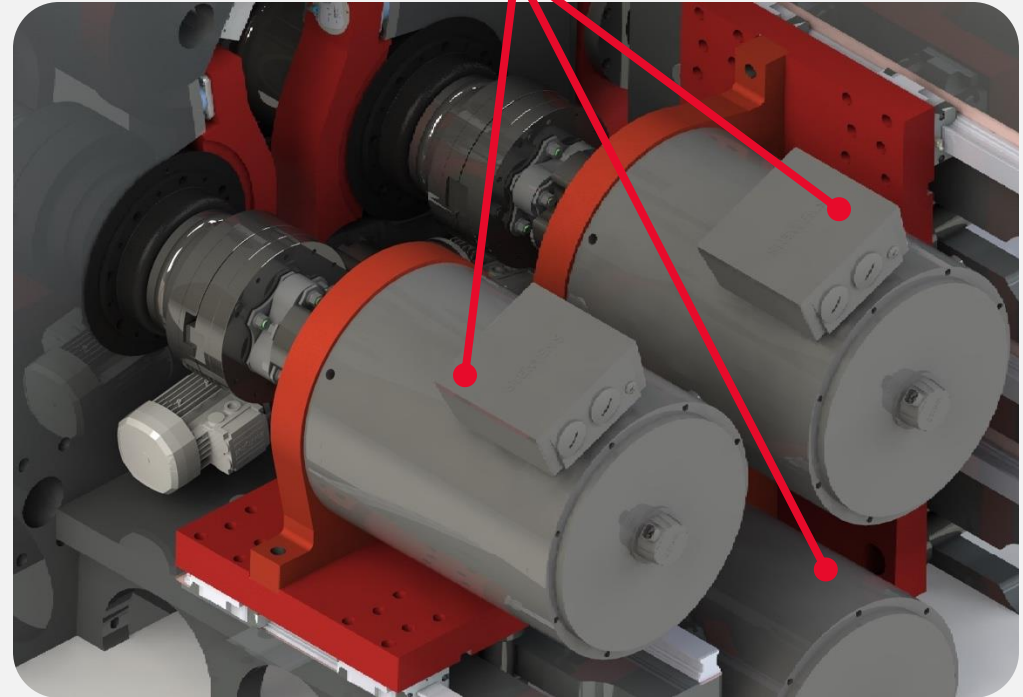
TRIPLER
THE NEWEST
EMBOSSING
SOLUTION



Torque Motor on sliding plate for engaging-design gain with steel rolls



Steel rolls driven by torque motor.
Automatic roll engage for quick roll change



More precise control and higher efficiency = ENERGY SAVING



EMBOSSER TRIPLER 7.0

EFFICIENCY 2

TRIPLER
THE NEWEST
EMBOSSING
SOLUTION

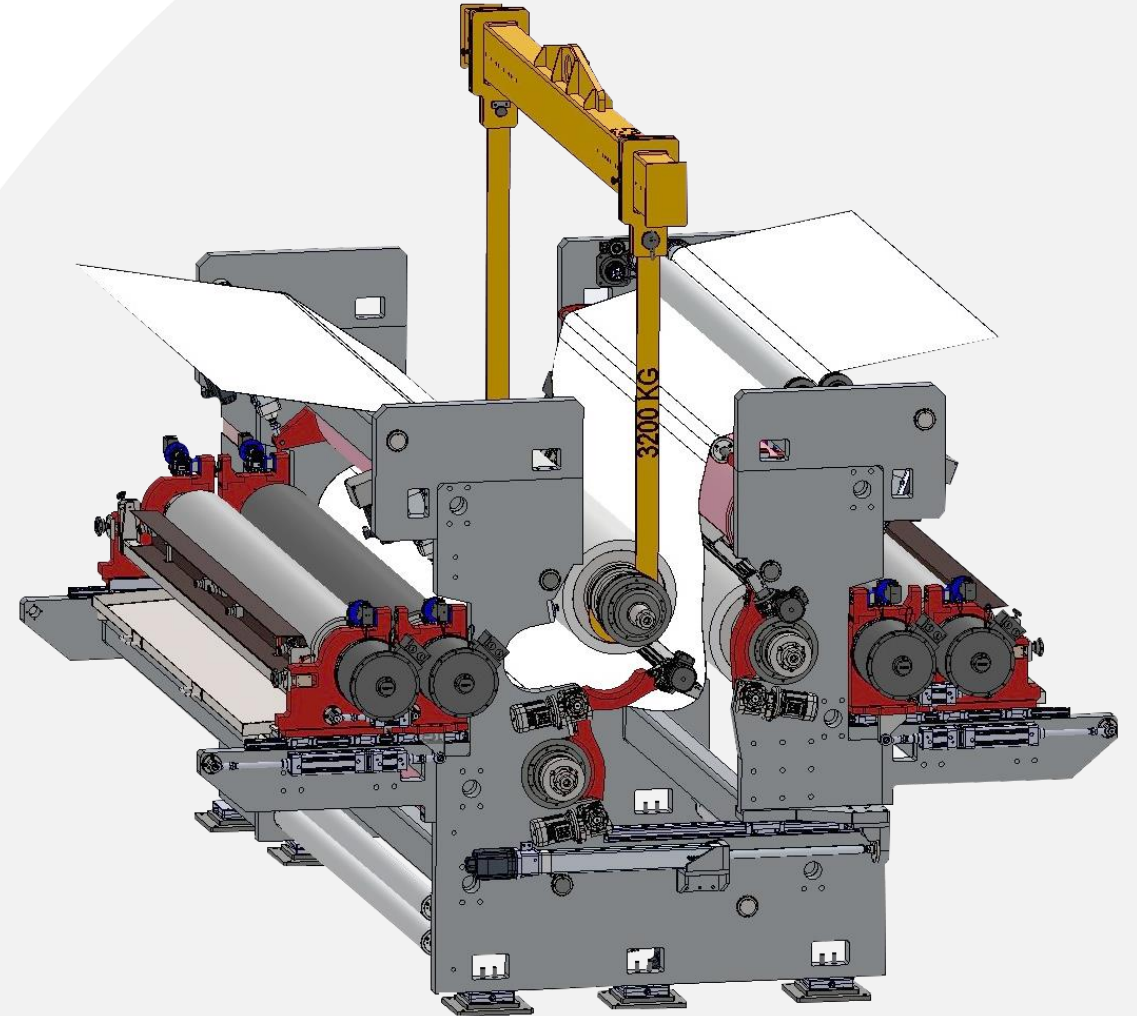
GiOTTO
TECHNOLOGIES

Steel Roll Change

Upper steel roll change **without Paper Break**

No need of rethreading web thus the change is faster in case of same type of paper

Up to **4%** Gain

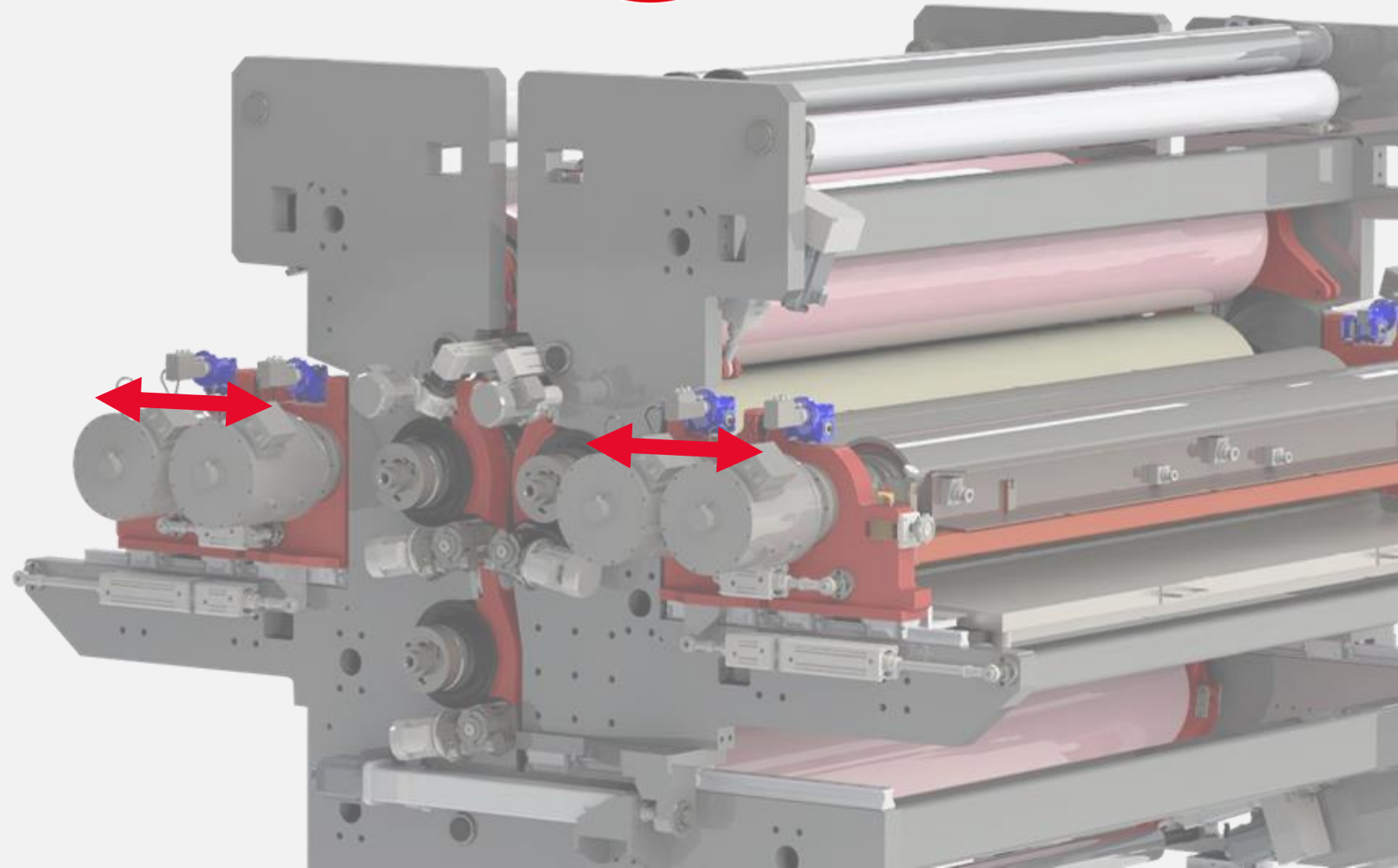


EMBOSSER TRIPLER 7.0

TRIPLER
THE NEWEST
EMBOSSING
SOLUTION



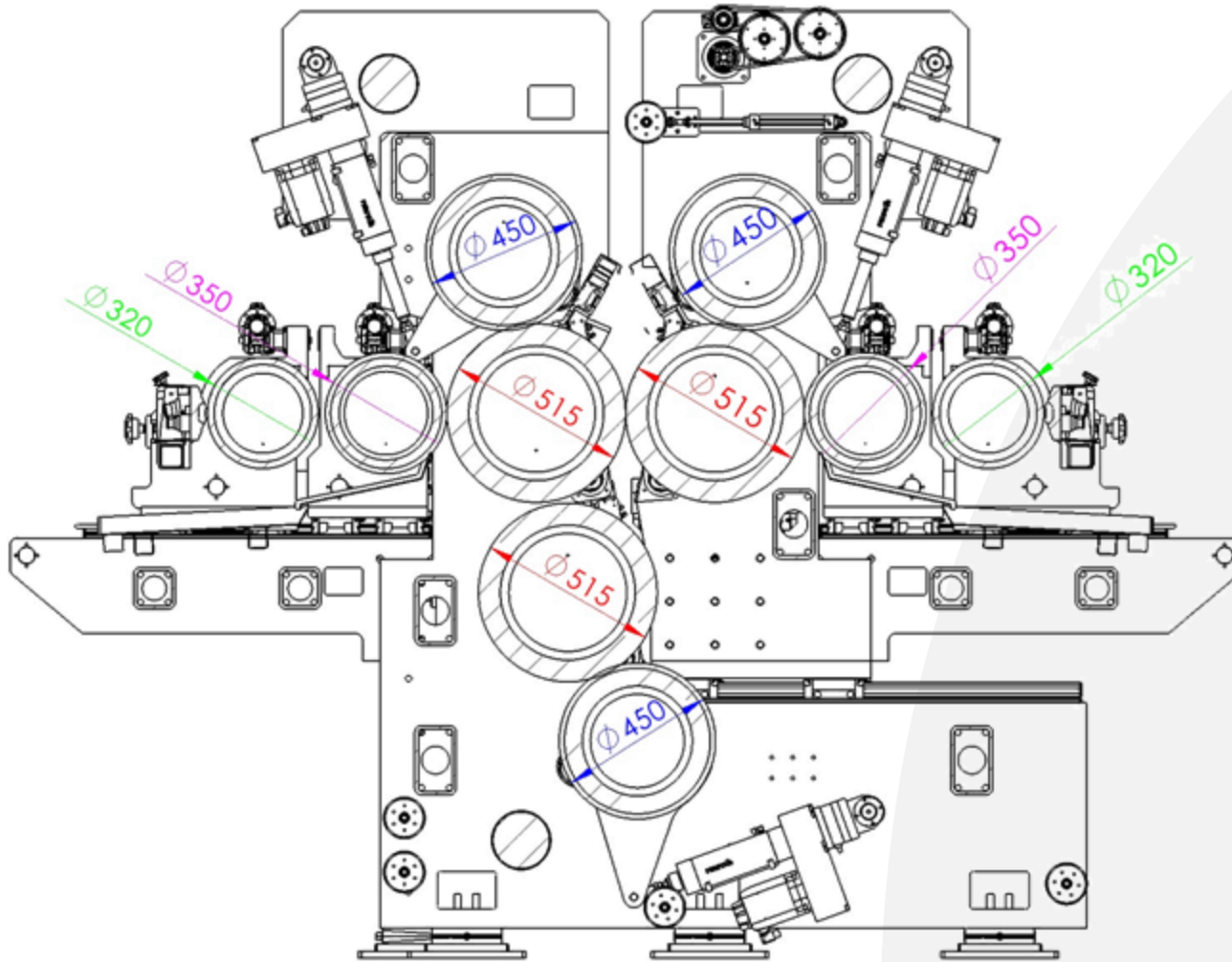
Load cells for paper tension control



EMBOSSER TRIPLER 7.0

SIDE VIEW

TRIPLER
THE NEWEST
EMBOSSING
SOLUTION



EMBOSSER TRIPLER 7.0

SETTINGS

TRIPLER
THE NEWEST
EMBOSSING
SOLUTION



Code	Fault Type	Description
501097	EMB_Faults	Outfeed Door Not Locked
510008	BB_Faults	Not Locked (Machine Guard)
510001	BB_Faults	Open Guard (More Than One)

State: **Aborted**

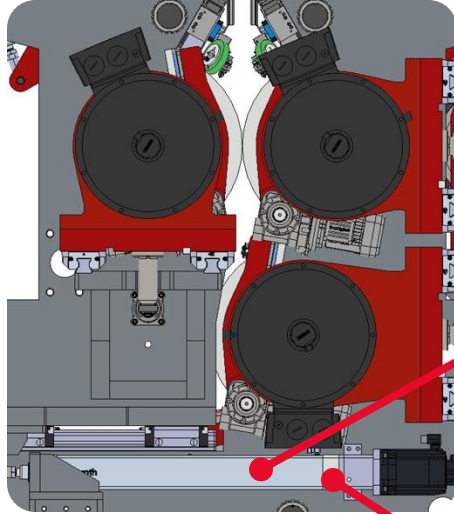
SET 30 m/min
0 m/min

Navigation icons: Home, Settings, Health, Warning, Wrench, EXIT

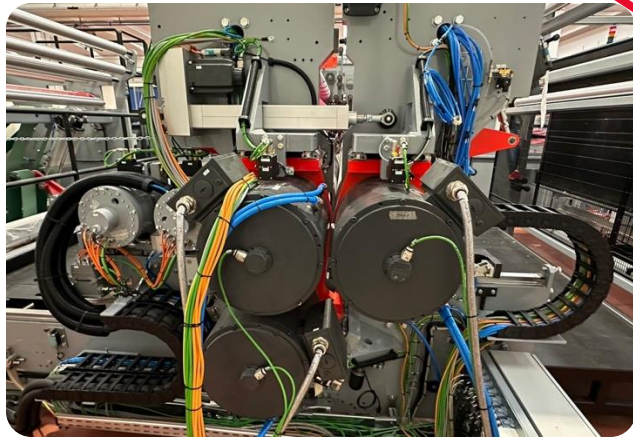


EMBOSSER TRIPLER 7.0

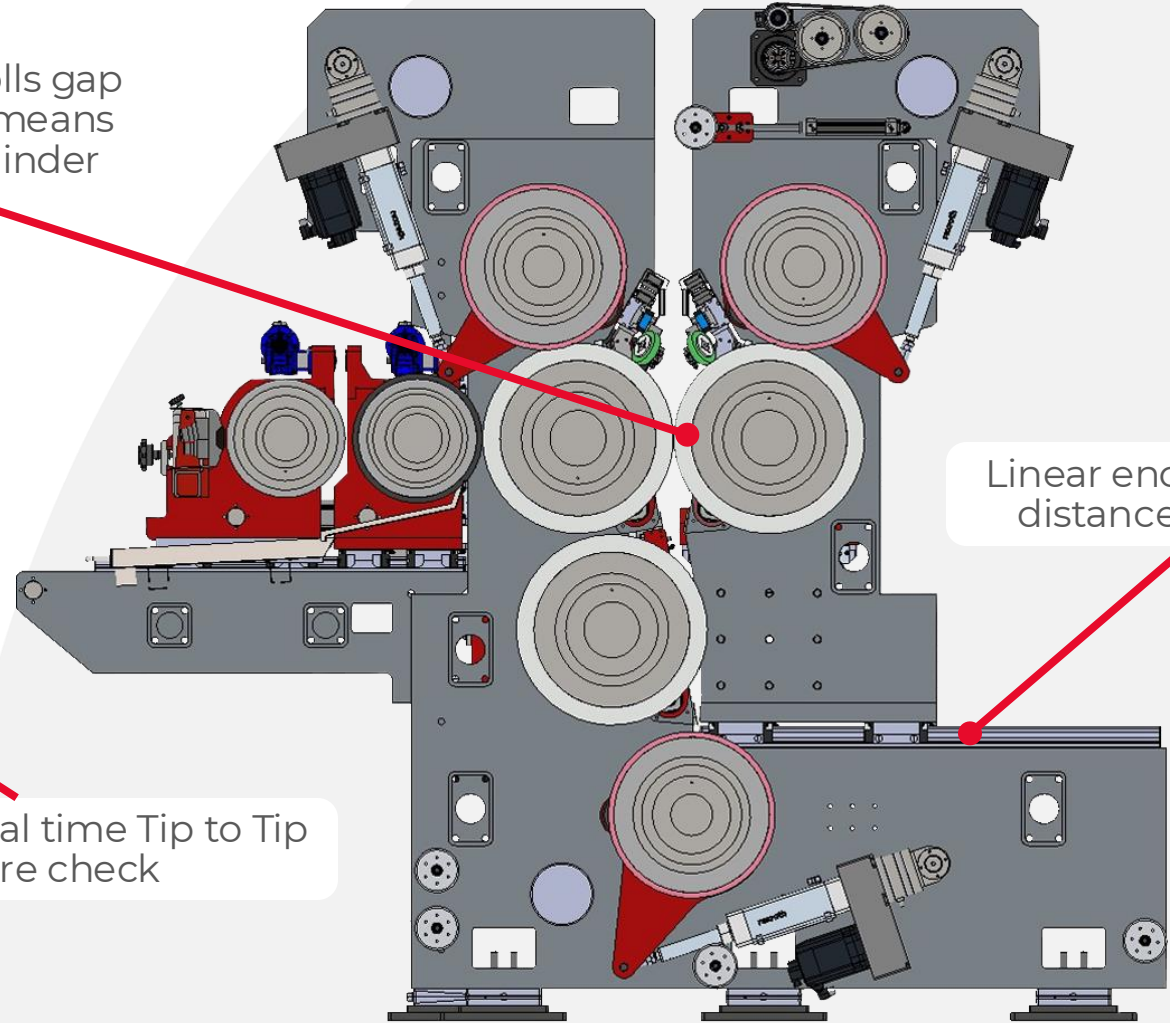
TRIPLER
THE NEWEST
EMBOSSING
SOLUTION



Tip to Tip rolls gap setting by means of servocylinder



Load cell for real time Tip to Tip pressure check



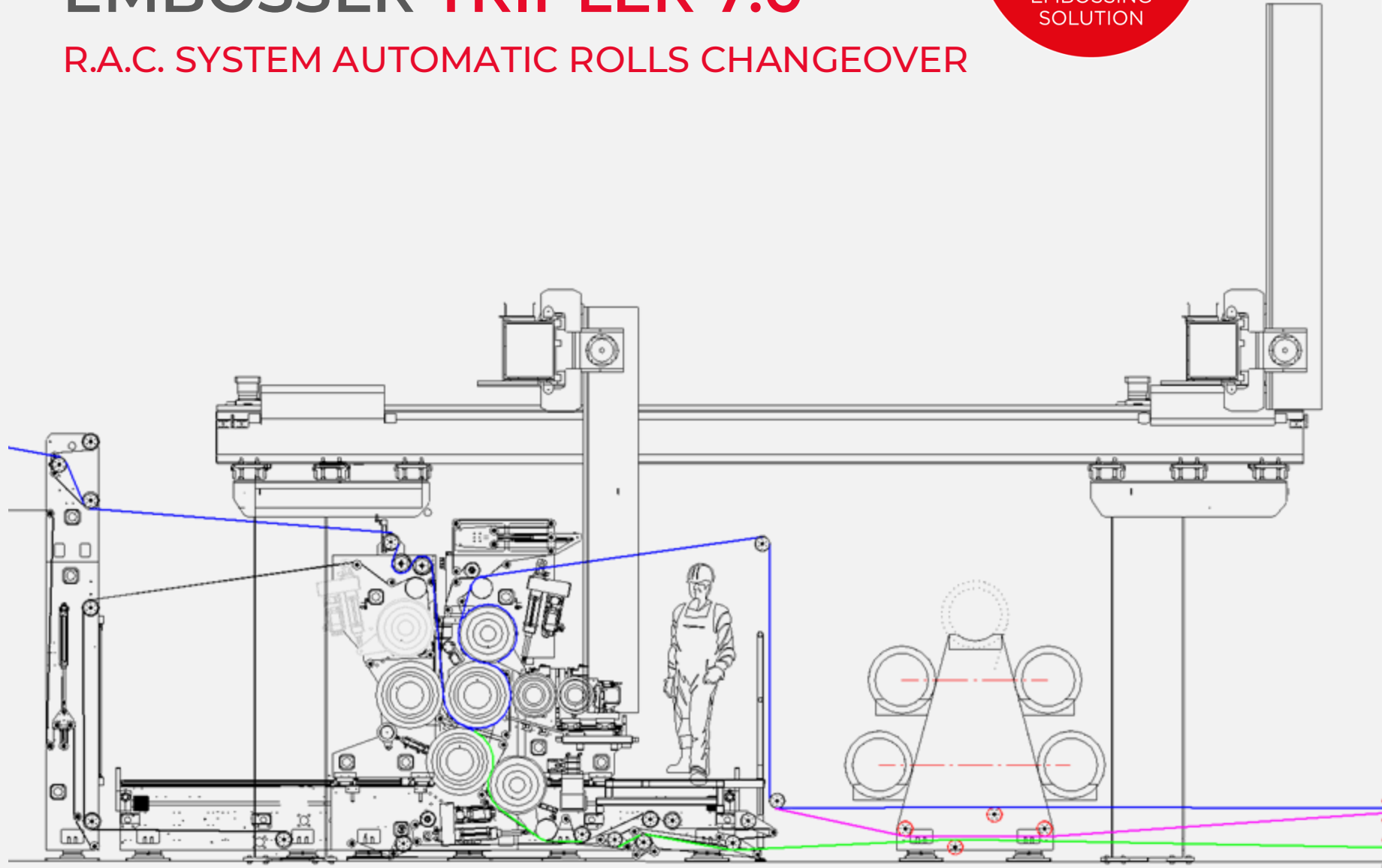
Linear encoder for roll distance adjusting



EMBOSSER TRIPLER 7.0

R.A.C. SYSTEM AUTOMATIC ROLLS CHANGEOVER

TRIPLER
THE NEWEST
EMBOSSING
SOLUTION



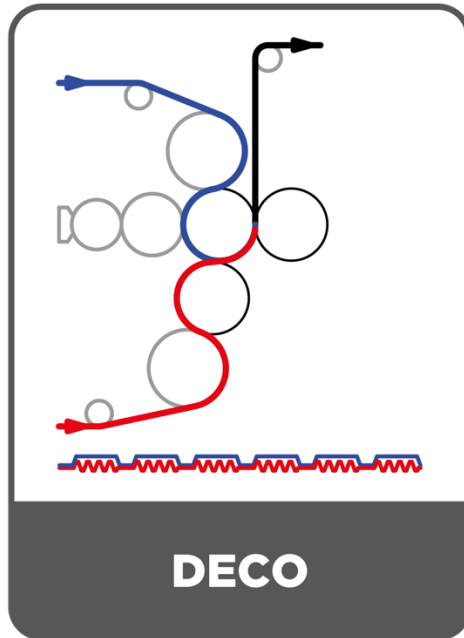
EMBOSSER TRIPLER 7.0

TRIPLER
THE NEWEST
EMBOSSING
SOLUTION



One machine, 8 different lamination solutions

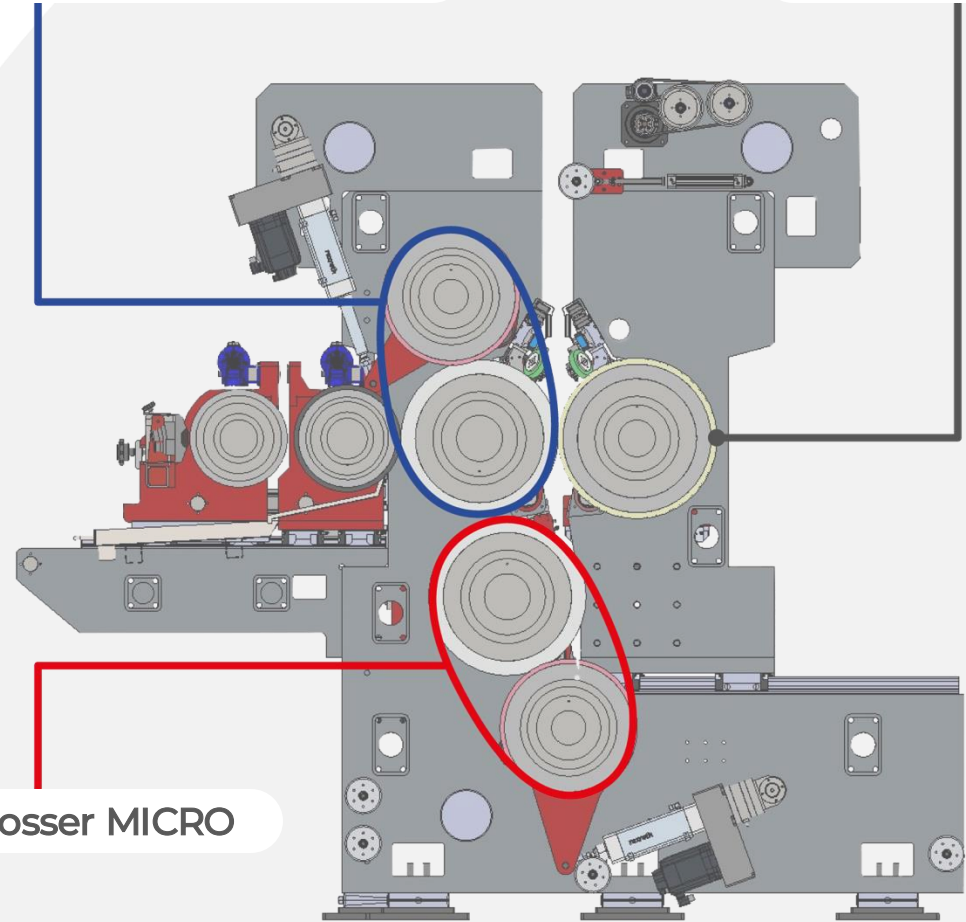
STANDARD SOLUTION



Upper Embosser DECO

MARRYNG ROLL

Lower Embosser MICRO



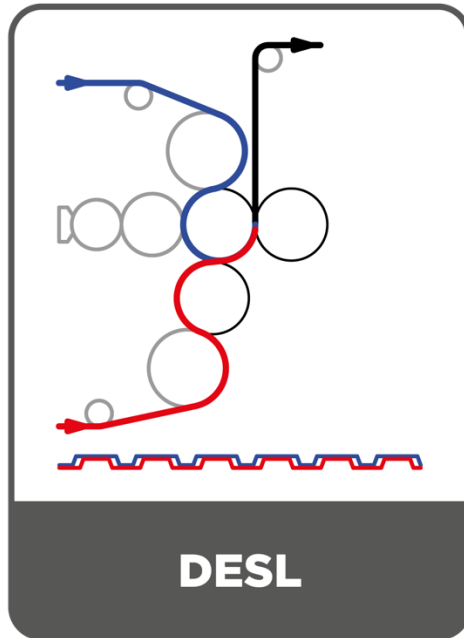
EMBOSSER TRIPLER 7.0

TRIPLER
THE NEWEST
EMBOSSING
SOLUTION



One machine, 8 different lamination solutions

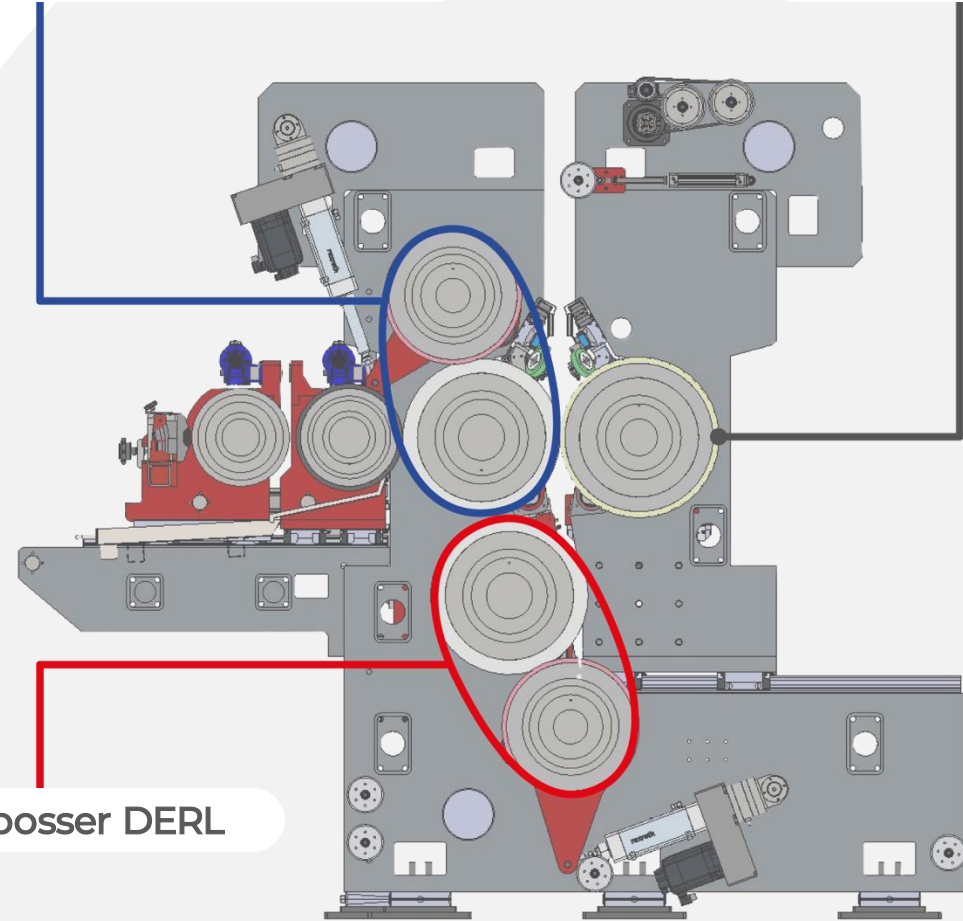
STANDARD SOLUTION



Upper Embosser DERL

MARRYNG ROLL

Lower Embosser DERL



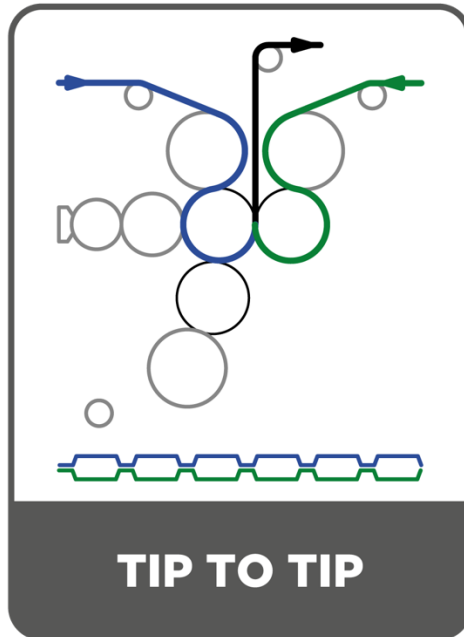
EMBOSSER TRIPLER 7.0

TRIPLER
THE NEWEST
EMBOSSING
SOLUTION



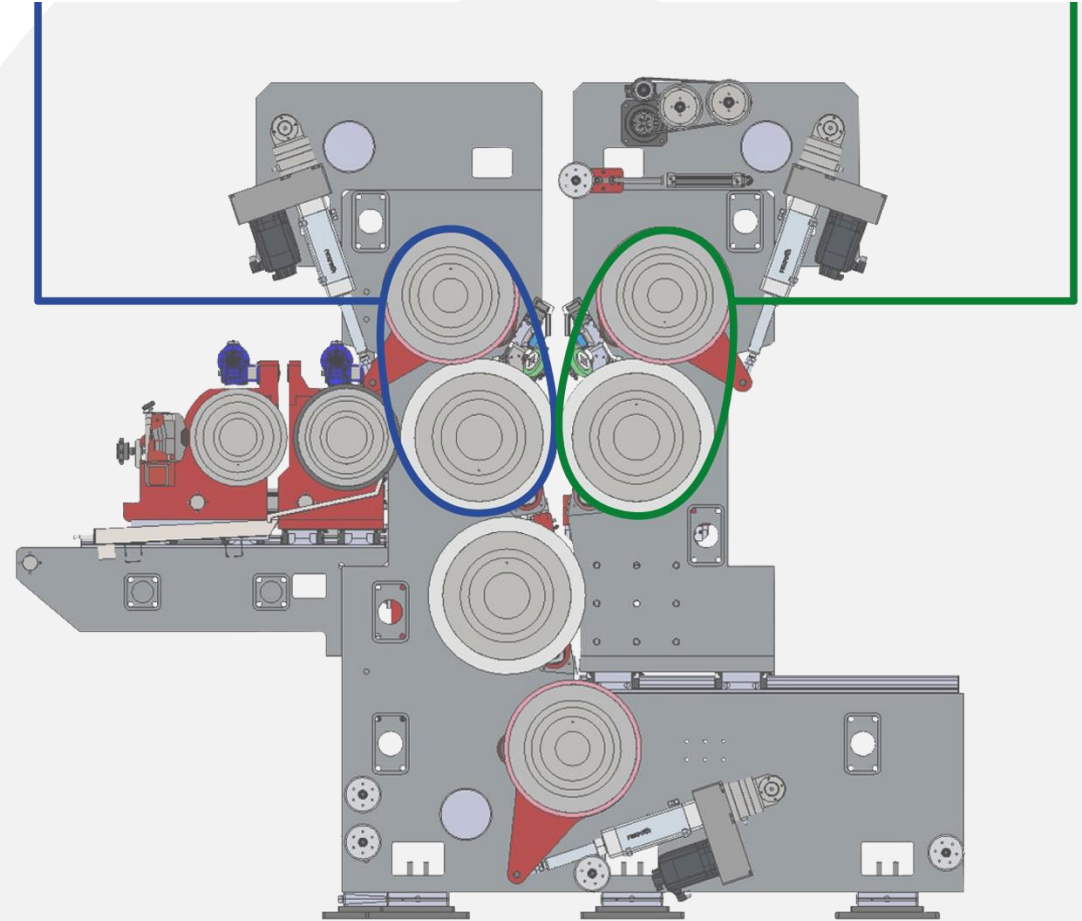
One machine, 8 different lamination solutions

STANDARD SOLUTION



Upper Embosser MARCO

Third Embosser MACRO



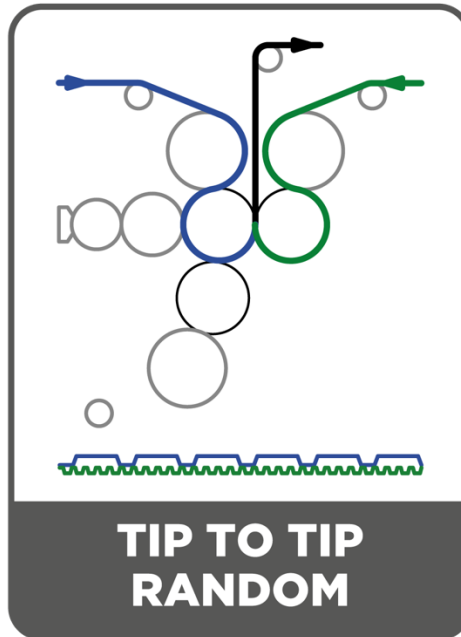
EMBOSSER TRIPLER 7.0

TRIPLER
THE NEWEST
EMBOSSING
SOLUTION



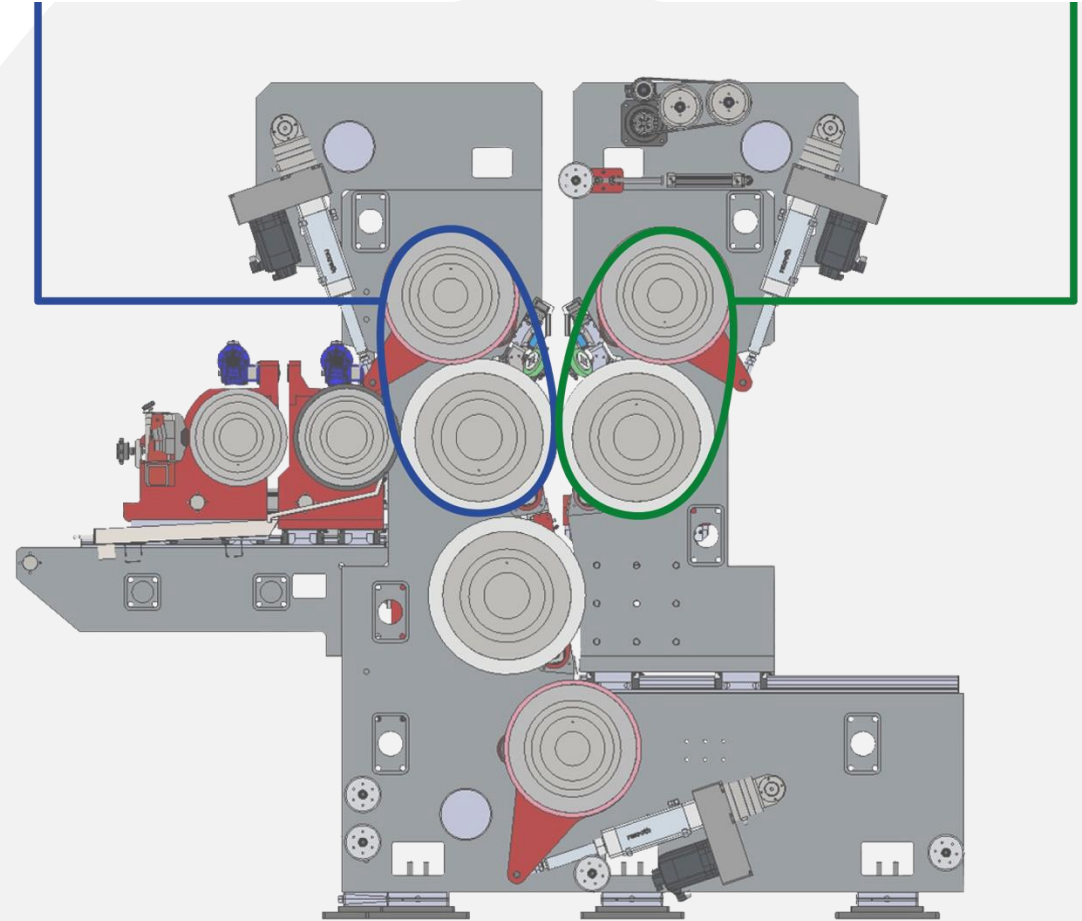
One machine, 8 different lamination solutions

STANDARD SOLUTION



Upper Embosser DECO

Third Embosser MICRO



EMBOSSER TRIPLER 7.0

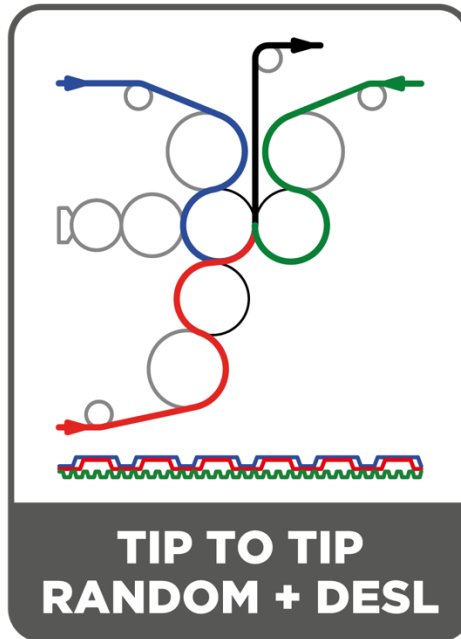
TRIPLER
THE NEWEST
EMBOSSING
SOLUTION



One machine, 8 different lamination solutions

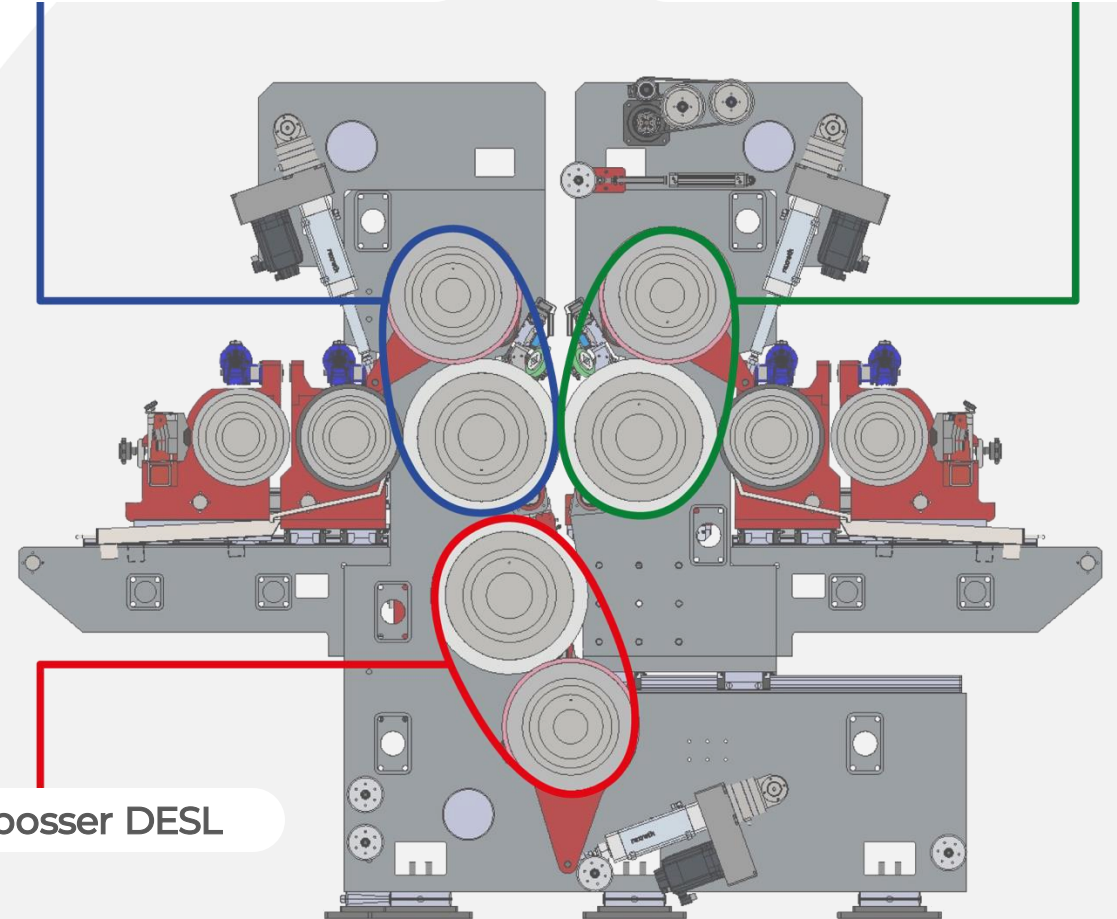
NEW SOLUTION

Higher Volume and better hand feeling



Upper Embosser DESL

Third Embosser MICRO



Lower Embosser DESL



EMBOSSER TRIPLER 7.0

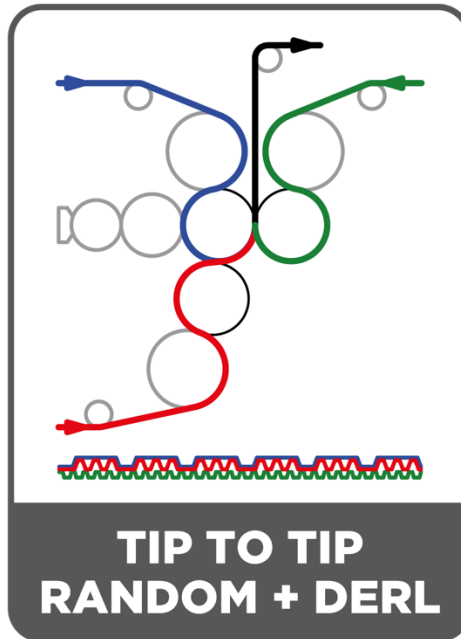
TRIPLER
THE NEWEST
EMBOSSING
SOLUTION



One machine, 8 different lamination solutions

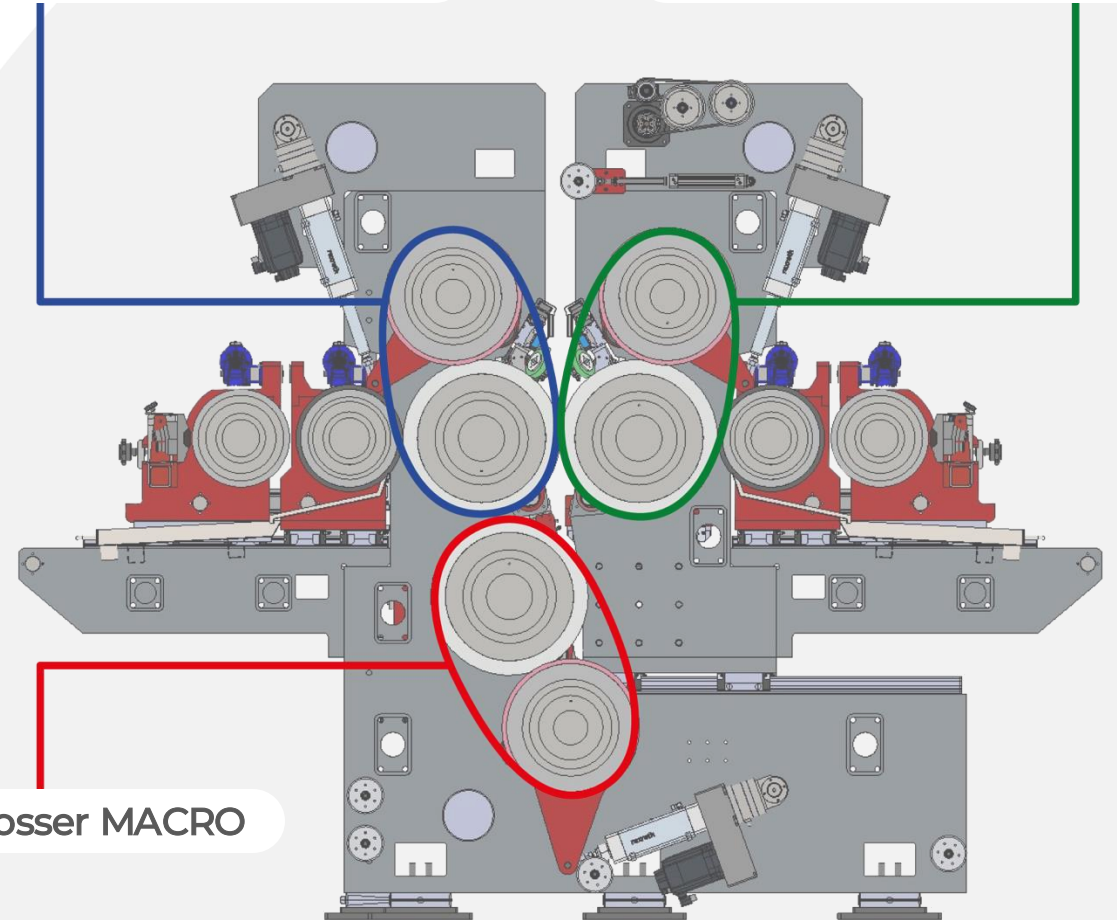
NEW SOLUTION

Higher Volume and better hand feeling



Upper Embosser DECO

Third Embosser MICRO



Lower Embosser MACRO



EMBOSSER TRIPLER 7.0

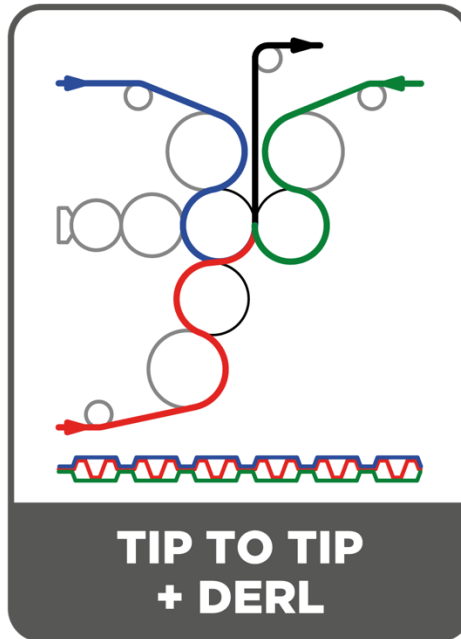
TRIPLER
THE NEWEST
EMBOSSING
SOLUTION



One machine, 8 different lamination solutions

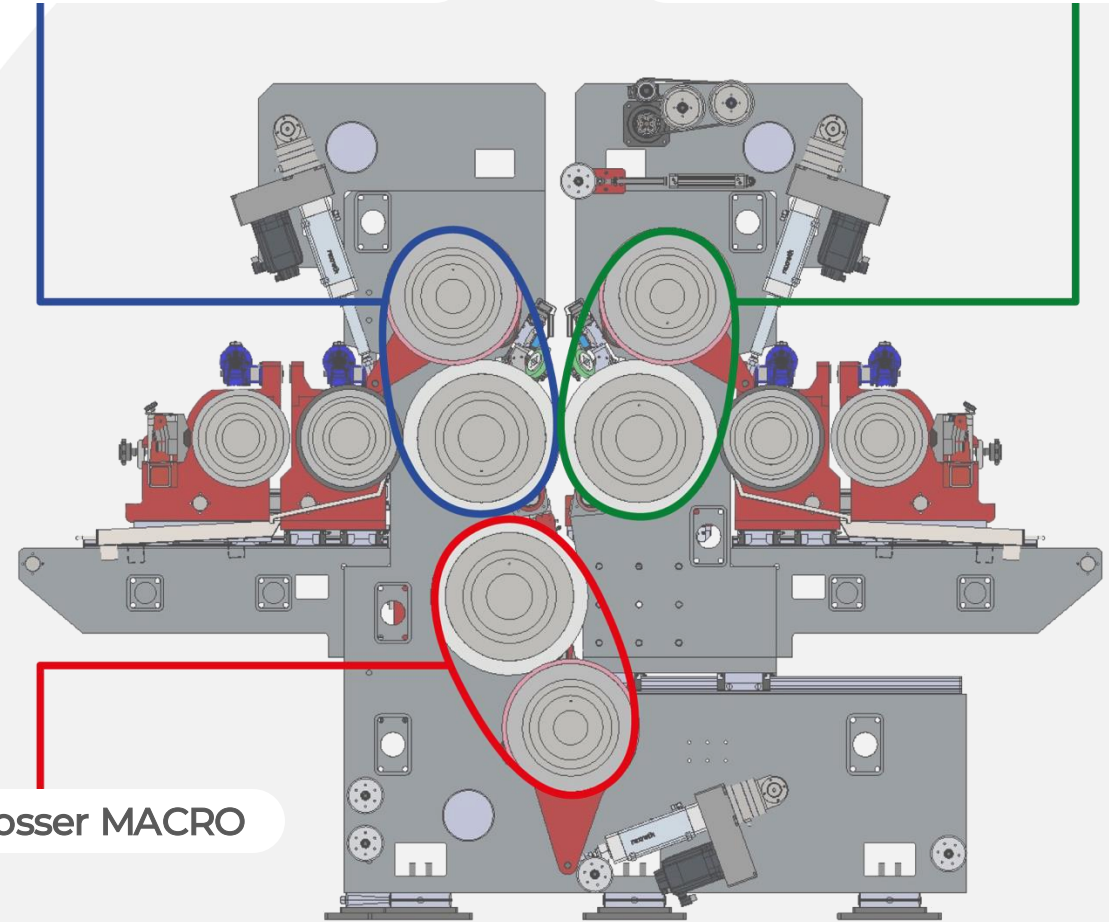
NEW SOLUTION

Higher Caliper due to third ply



Upper Embosser DECO

Third Embosser MICRO



EMBOSSER TRIPLER 7.0

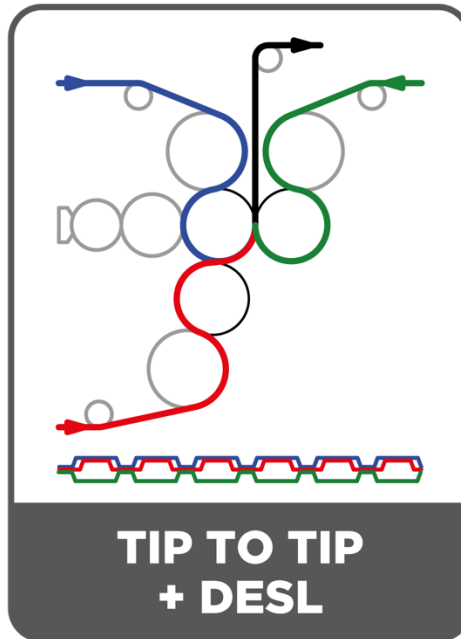
TRIPLER
THE NEWEST
EMBOSSING
SOLUTION



One machine, 8 different lamination solutions

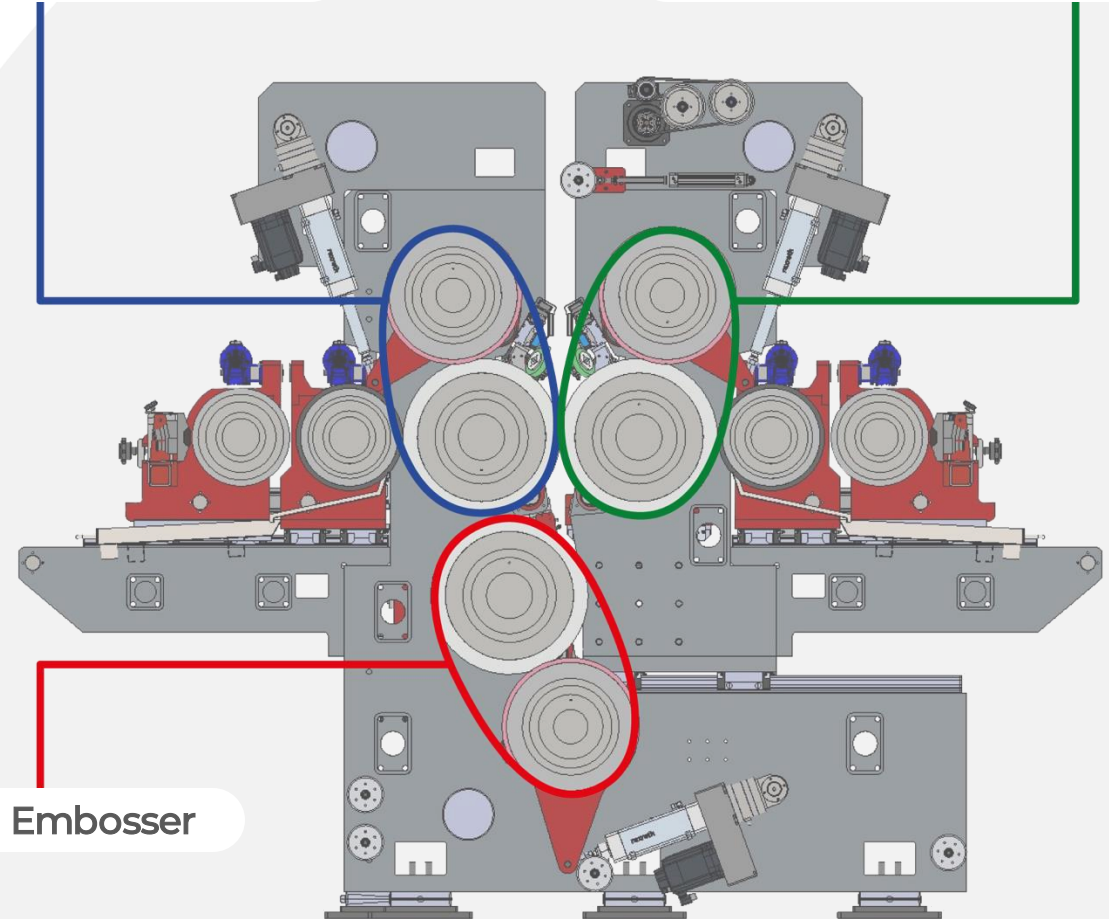
NEW SOLUTION

Higher Caliper due to third ply



Upper Embosser

Third Embosser DECO



Lower Embosser



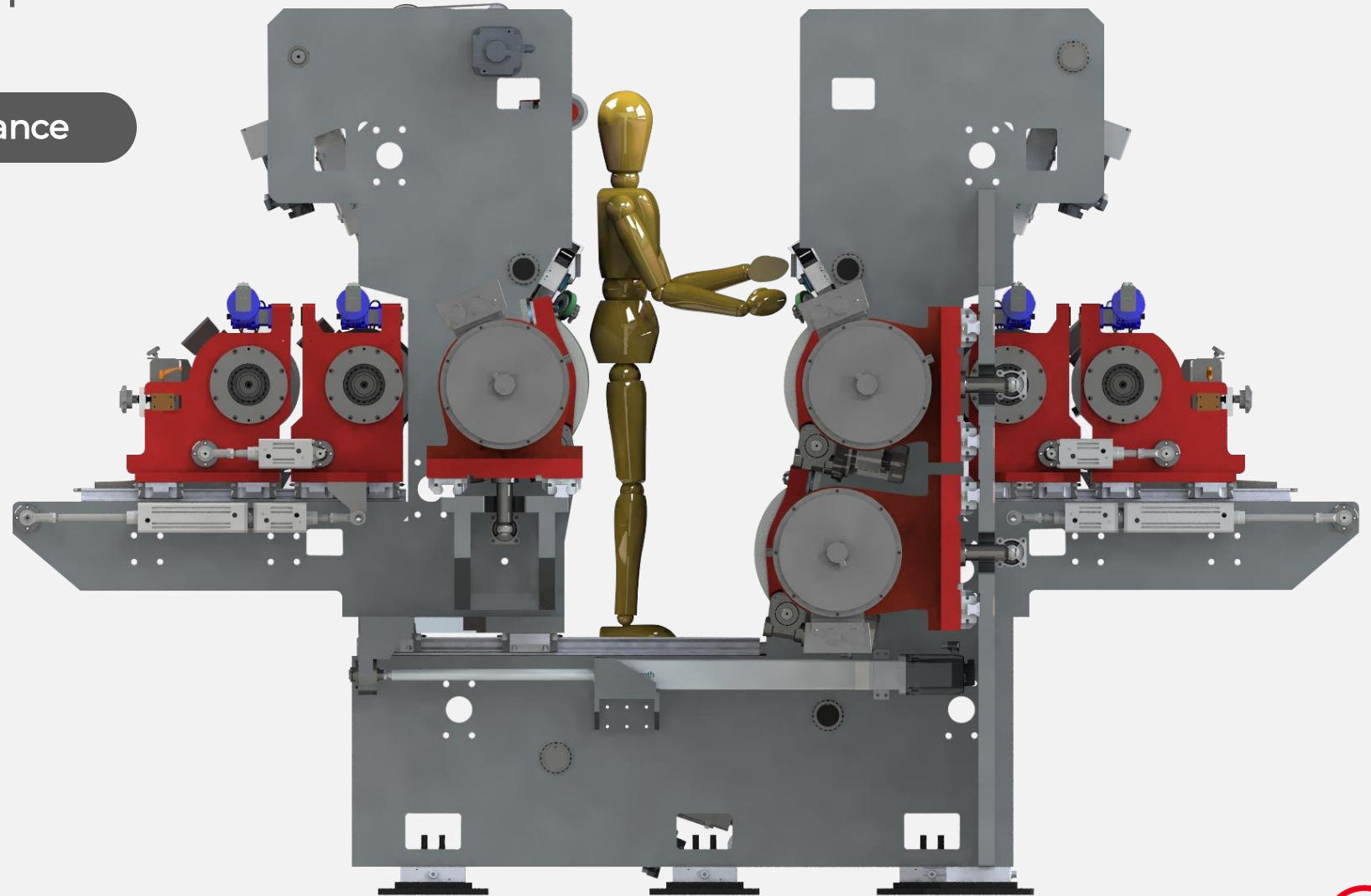
EMBOSSER TRIPLER 7.0

FLEXIBLY change of products

TRIPLER
THE NEWEST
EMBOSSING
SOLUTION



Easy access for cleaning and maintenance



Up to 2% Gain





THANK YOU

